

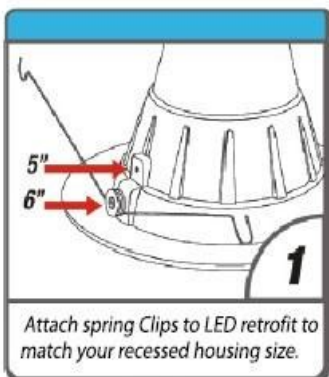
Dimmable LED Downlights
Specifications and Installation Notes
Www.TheLEDLight.com
Sales@TheLEDLight.com



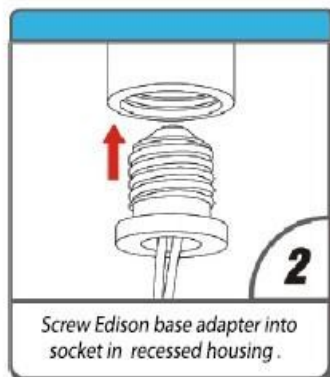
Compatible with 5" and 6" standard recessed cans. Attach spring clips to LED retrofit to match your recessed housing size. Screw Edison base adapter into socket in recessed housing. Plug quick connect into base of LED retrofit. Squeeze spring clips and install retrofit in recessed housing.



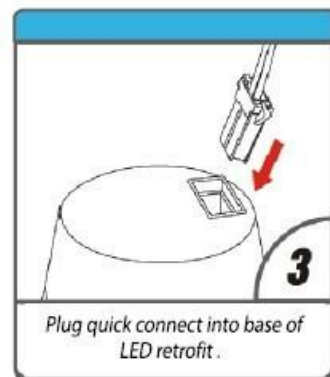
E26 Socket Adaptor



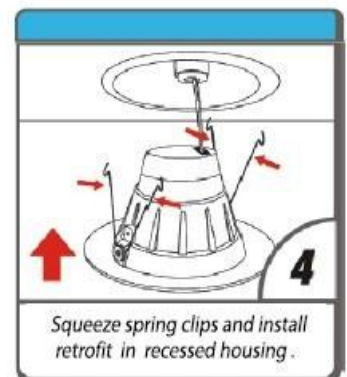
Step 1



Step 2



Step 3



Step 4

Compatible Dimmers:

Lutron: AY-600P, DV-603PG, DVCL-153PL, TT-300, CN-600P, S-600P, TG-600P, TGCL-153P, LGCL-153-PL, GL-600H-DK, D603PH, MA-600, DV-600P

Leviton: IP106, 6613-P, 6633-P, 6683, 6673-P

Lightolier: ZP600-I

Legrand: DLV709-PLA, DCL453-PTC, D703-PTC, CD703-PW, CDLV703-PW

Kaoyi: KHD-514U

Enerlites: 50300

Need help?

Www.TheLEDLight.com

Sales@TheLEDLight.com

Our office is open Monday through Friday 7:30 AM to 4:00 PM Pacific Time
We're standing by ready to help.